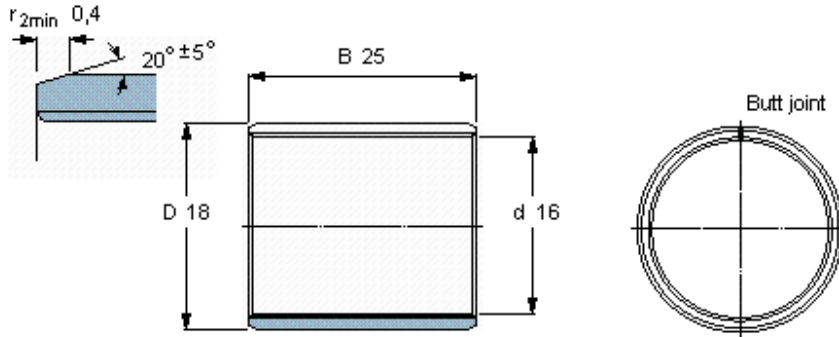


Composite dry sliding bushings, metric dimensions

| Principal dimensions |    |    | Basic load ratings |              | Mass   | Designation  |
|----------------------|----|----|--------------------|--------------|--------|--------------|
| d                    | D  | B  | dynamic<br>C       | static<br>C0 |        |              |
| mm                   |    |    | kN                 |              | kg     | -            |
| <b>16</b>            | 18 | 25 | 32                 | 100          | 0,0099 | PCM 161825 E |



**Specific load factor**  
**Material constant**

K 80  
K<sub>M</sub> 480